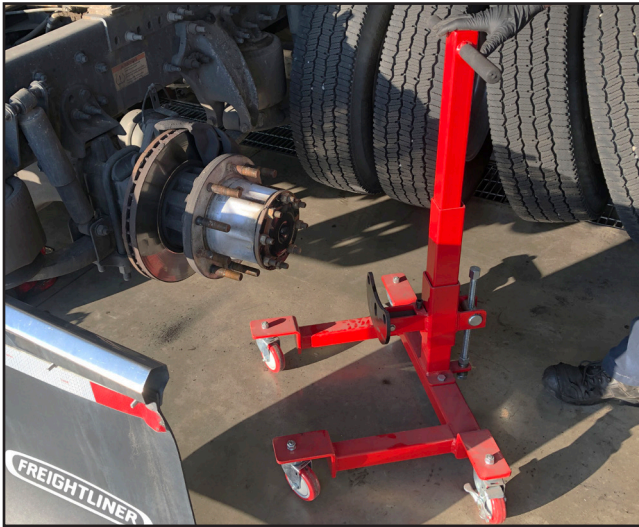


**72045**



## Disc Brake Hub Removal / Installer / Handler

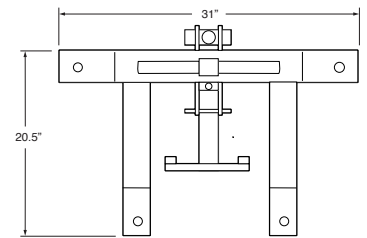


### INTENDED USE

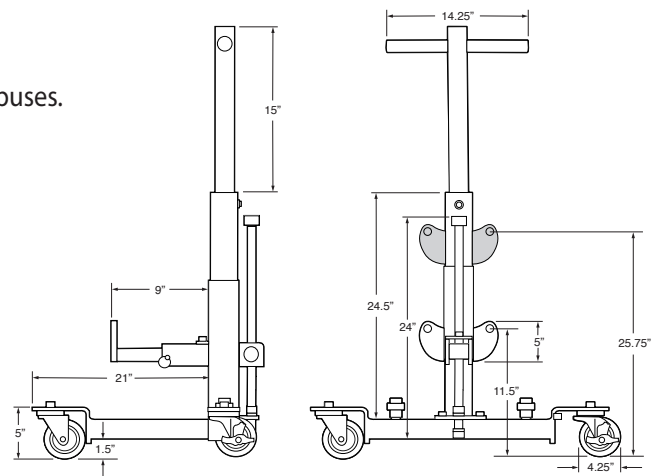
*Designed for removing, installing, and transporting heavy disc brake hub assemblies.*

### FEATURES

- Replace rotor, seals and bearings with no heavy lifting.
- Reduces lost-time injuries by preventing back and hand injuries.
- Four polyurethane caster wheels to protect epoxy floors while enhancing smooth maneuverability through the shop (two caster wheels with locks).
- Works on disc brake hubs for all Class 8 trucks, transit vehicles and school buses.
- Attachment to the hub is made easy by using the vehicle lug nuts.
- Quickly raises the load to working height using either air or battery tools.
- 14-1/4" range of operation.



TOP VIEW



SIDE VIEW

FRONT VIEW

Model #	Overall Dimensions			Weight
	Length	Width	Height	
<b>72045</b>	24"	31"	35.75"	60 lbs.